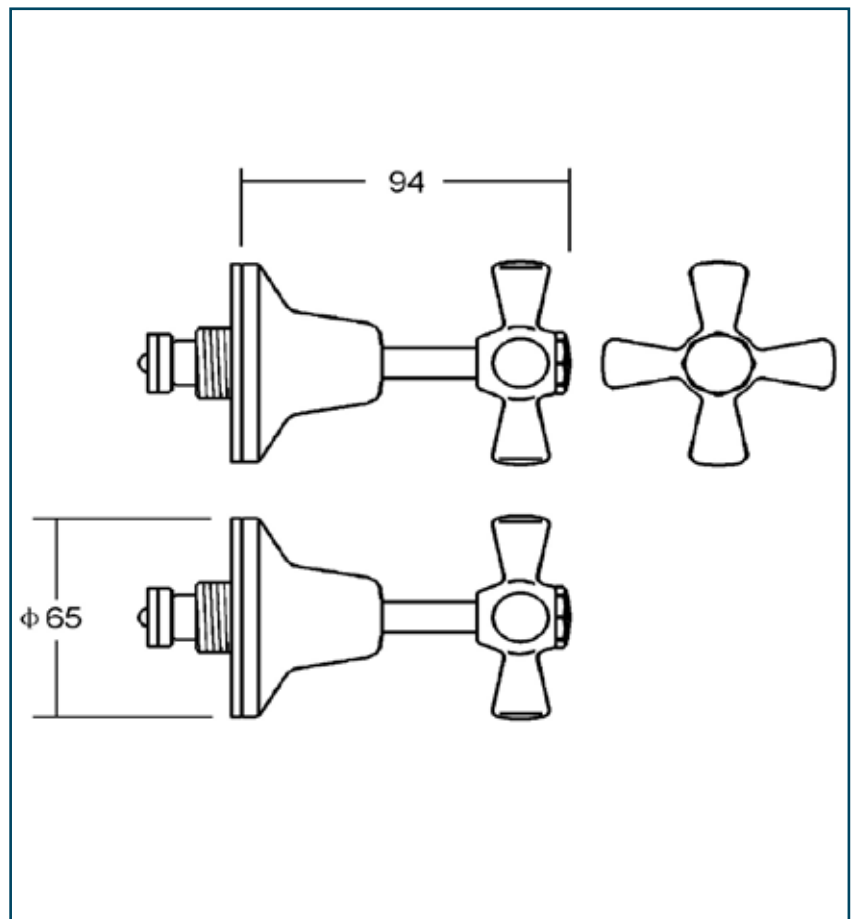


## gallery

Product Code : TECHNICON1438

Enhance wall stops

Technical Specifications



QUALITY DISCOUNTS EVERYDAY  
19 Collie St Fyshwick, Canberra 2609 Phone : 6239 3066 - Fax : 6280 7631