



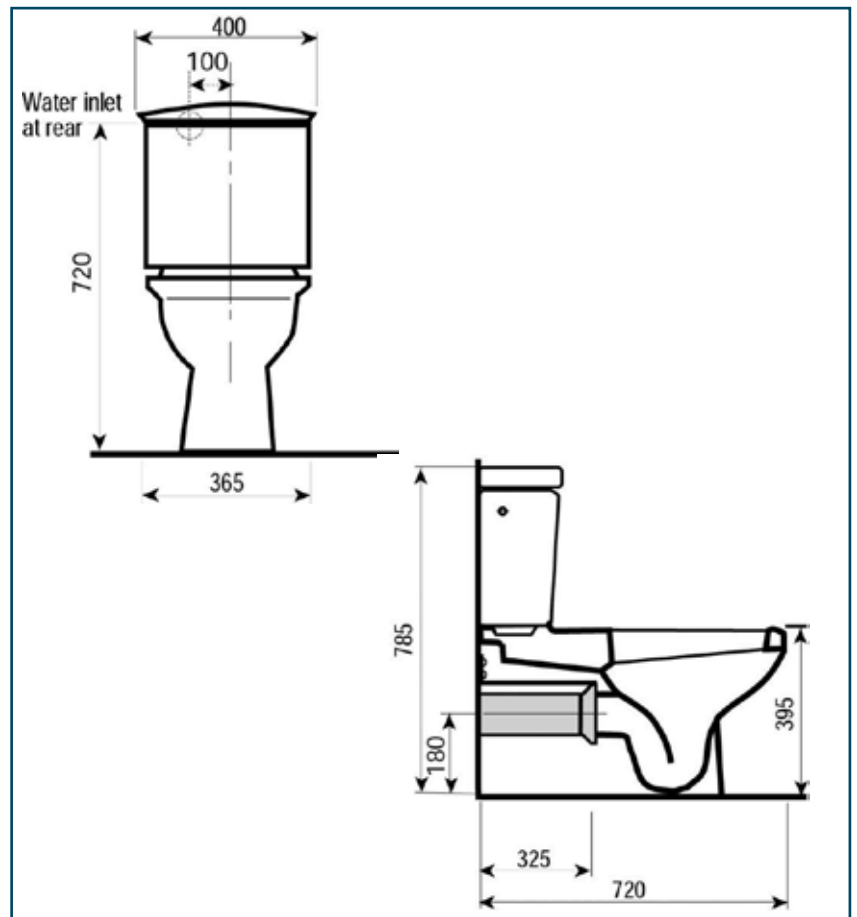
Product Code : INOVITA1600

Eura toilet suite

Technical Specifications

6224 & 6414

- box rim hygienic flushing pan
- 'p' trap pan
- universal 's' trap adapter
- dual flush cistern with chrome or gold finish
- quiet inlet valve
- all pan fixations included with covers
- rear water inlet



QUALITY DISCOUNTS EVERYDAY
19 Collie St Fyshwick, Canberra 2609 Phone : 6239 3066 - Fax : 6280 7631